



Beautiful **LIVING**
Transforming **conservatories** into
an all year round living space

The image shows a bright, airy interior space, likely a living area, with a high ceiling. A prominent feature is a large, multi-paned window system that includes a gabled section and a lower section with a white curtain. A rectangular skylight is set into the ceiling. The overall aesthetic is clean and modern, with a focus on natural light. The text 'Transforming LIVING SPACES' is overlaid in a white, elegant script and sans-serif font. A vertical orange bar is on the left side of the image, and thin white lines are drawn across the ceiling and window areas.

Transforming
LIVING SPACES

contents

PAGE 04	WELCOME
PAGE 06	LIGHTWEIGHT TILED ROOF
PAGE 08	LIGHTWEIGHT TILED ROOF
PAGE 10	LIGHTWEIGHT SLATE ROOF
PAGE 12	SKYVISTA GLASS PANEL FEATURE
PAGE 16	SupaLite PLUS+
PAGE 17	SupaLite ECO ROOF
PAGE 18	ROOF COVERINGS
PAGE 20	ACCESSORIES
PAGE 22	SupaLite ORANGERIES
PAGE 26	SUPERIOR GLAZED ALUMINUM VERANDAS
PAGE 28	CLIENT PEACE OF MIND
PAGE 30	FAQ'S

Welcome

Whether you are considering a conservatory roof replacement, new build conservatory or an extension, we have the solution for you.

The SupaLite roof systems have all undergone exhaustive testing following years of research and design. It's imperative that homeowners make the right decision when investing in a solid roof to ensure the building is a safe and habitable place that also adds value to the property.

Specifying the SupaLite Roof will ensure the correct configuration and overall solution for your all year round living space.

Quality living.
IT STARTS HERE

Transforming conservatories into
all year round living spaces



5 Reasons

to choose a **SupaLite Roof**

- ✓ Save money on heating costs
- ✓ Roof system engineered and tested to meet all Building Regulations requirements
- ✓ Transforms a conservatory into an extension
- ✓ Add significant value to your home
- ✓ Increase your living & entertaining space

Lightweight **TILED ROOF**

Controlled temperature,
WHATEVER THE WEATHER

STRUCTURAL lightweight aluminium roof, engineered and designed to last a lifetime

INCREDIBLE U-Value with increased thermal performance which saves money on your energy bills

WIDE CHOICE of tile and slate colours to either match or contrast your existing property

ADD VALUE to your home with the feel of an extension for all year round living space

Fall in love with your conservatory again

The transformation you will benefit from is incredible. Not only will you greatly reduce the energy costs by retaining a moderated living temperature in your conservatory, but you will also have more occasions for spending time in your conservatory.

Before

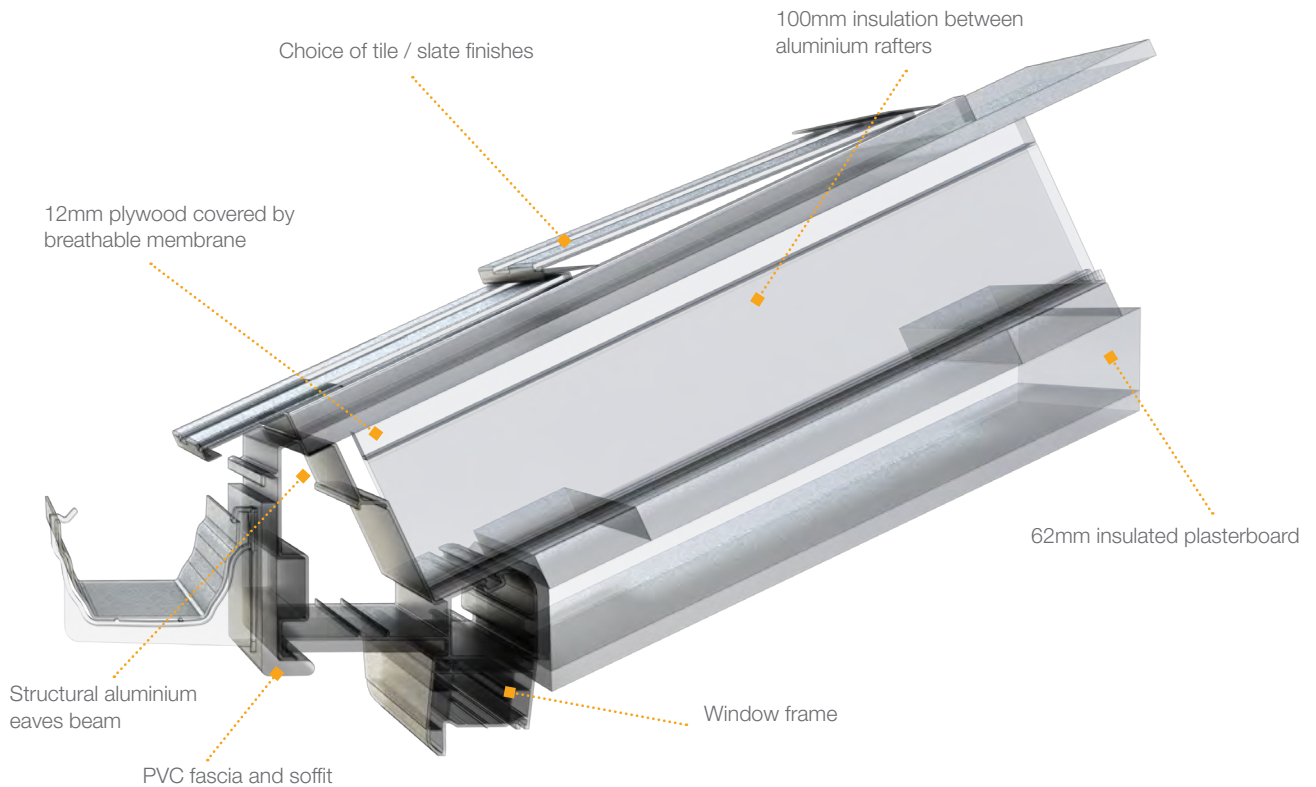


After



We only used our old conservatory for half of the year as it was either too hot in summer or too cold in Winter. By having the roof replaced with a SupaLite Roof, we now use this fabulous room all year round, morning till late at night. What a transformation!

Mr & Mrs Bramhall



Transforming conservatories into year round living spaces

SupaLite
TILED ROOF SYSTEM

Lightweight **TILED ROOF**

Building your vision.
CREATING REALITY

UNIQUE fascia and soffit detail with options for external lighting to give the wow factor in the evenings

COLOUR choice of fascias, soffits and guttering to either match or contrast your existing property

10 YEAR GUARANTEE The SupaLite Roof is a tried and tested product, with the system and some of its products holding accreditations such as BBA, BRE and CORGI

APPROVED with Building Regulations

New Build, Replacement Roof or Commercial Building

The SupaLite Roof can be installed on new build conservatories or on new extensions.

Many commercial properties are now fitting SupaLite Roofs on restaurants, nursing homes, educational buildings and extensions.

These buildings will also benefit from the added property values gained by installing a SupaLite Roof.



When SupaLite roofs are installed, many customers remodel their conservatories internally to give the feel of a true lounge or dining room. With plastered ceilings and our optional internal downlighting, it gives you a dream living space.

Lightweight **SLATE ROOF**

A complete investment,
ADDING VALUE TO YOUR PROPERTY

LIGHTWEIGHT

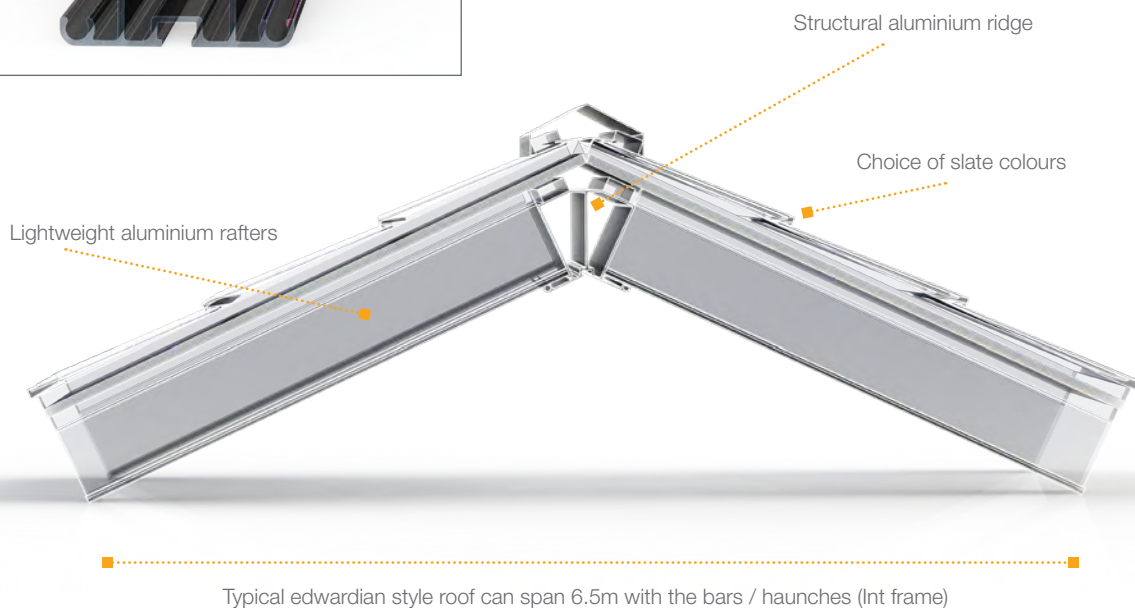
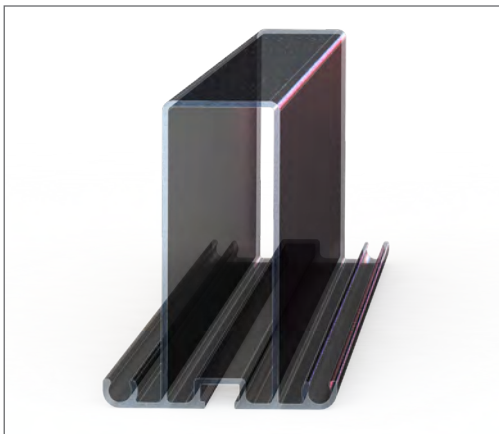
Even with SupaLite's 150mm of insulation, plasterboard, tiles, plywood, structural aluminium ridge, rafters and eaves beam – it will not be much heavier than a typical glass roof.

Ultra-modern with a Traditional Look

The SupaLite Slate roof comes with several colour options. The SupaLite Slate option can add splendour, elegance and tradition to your home. It is authentically shaped with textured surfaces and edges moulded from traditional slates, that make it almost indistinguishable from natural slate – yet it has an even more refined appearance. This lightweight slate will not crack, break or delaminate, and its product formulation and manufacturing processes provide durability, performance, and longevity for many years to come.



Aluminium rafter section



SKYVISTA

Glass Panel Feature

The place for you
TO RELAX AND ENJOY

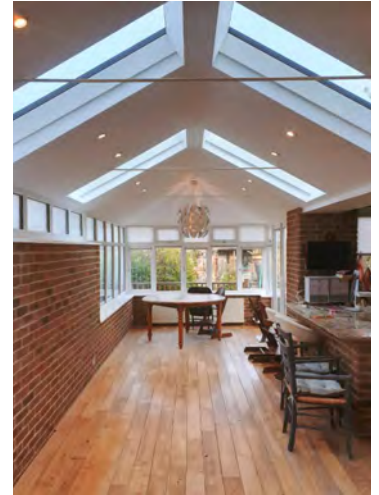
The ultra-chic SkyVista panel has excellent aesthetic and great solar control, meaning you can regulate the temperature of your conservatory whilst allowing plenty of natural light to flow through.

A Beautiful and Practical Blend of Lightweight Tiles and Glass Panels

Control the temperature of your conservatory whilst making the most of natural light with our new product, the SupaLite SkyVista – a combination of our roof and glass panels.

Unlike traditional conservatory roofs, the technology behind the SkyVista means your conservatory will be cool and comfortable on hot sunny days and warm and cosy on cold winter days. Plus, you won't have to climb up ladders to clean your roof, as the SkyVista glass is self-cleaning!

The SkyVista can be configured to numerous conservatory styles, including Edwardian, Victorian and Lean-to, and it comes in two colour options, blue and neutral.



 A close-up photograph of the SkyVista roof system. It shows two large, rectangular glass panels set into a roof of reddish-brown tiles. The panels are framed in a dark grey or black material.

5 Reasons to choose a **SkyVista**

- ✓ Transforms your conservatory into a solid roof system, without losing overhead natural light.
- ✓ The panels are available to be installed with both, tile and slate finishing options.
- ✓ Awarding you with the best of both – part glass alongside our aluminium solid roof system.
- ✓ Stable thermal control within your newly transformed living space.
- ✓ Give your home a makeover with our stylish glass panel feature.

SKYVISTA

Glass Panel Feature

Excellence and innovation

BUILT INTO EVERY DESIGN

Glass Panels

The SkyVista glass panels have an option for blue or neutral solar control, self-cleaning glass, up to lengths of 3 metres. With a 60% solar heat reflection, that still allows 45% of natural light into the building, it's the best of glazing solutions.

SELF
CLEANING
GLASS

OUTSTANDING
SOLAR
CONTROL

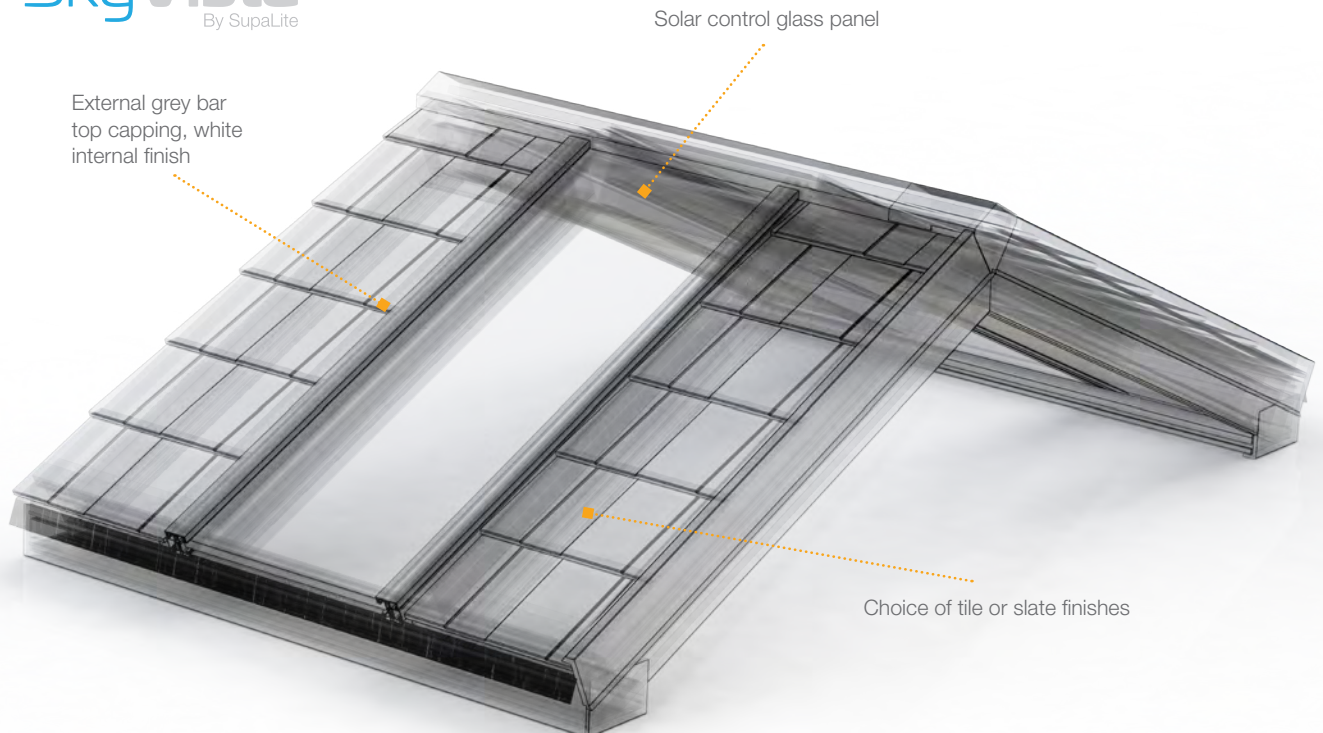
SUPERB
THERMAL
PERFORMANCES

The Stylish Way of Adding More Light Into Your Home

The SkyVista glass panel feature allows a stylish look internally when plastered and painted. This allows more light into your home without over-heating in the summer.



SkyVista
By SupaLite

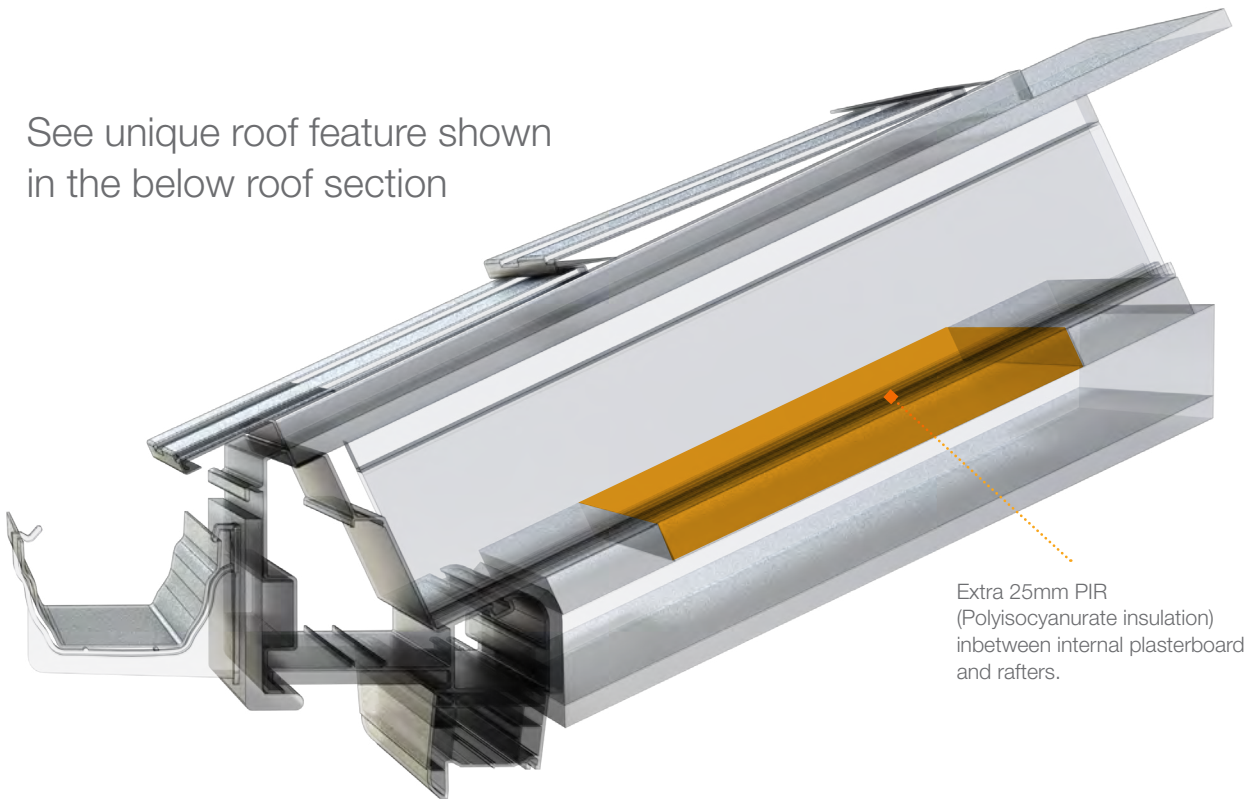


Transforming conservatories into year round living spaces

SupaLite
TILED ROOF SYSTEM

SupaLite PLUS+

See unique roof feature shown
in the below roof section



SupaLite
PLUS+

The SupaLite PLUS+ specification of roof has been specifically designed and tested to achieve a U-Value of 0.15 W/m².K.

The structure of the SupaLite PLUS+ roof is the same highly acclaimed and popular design as our standard roof, allowing you to enjoy all of the SupaLite benefits. The additional rating has been achieved by the use of extra insulated panels.

For Scotland the roof will require extra ventilation to comply with regulations.

SupaLite ECO A Compact Design with Minimal Soffit Detail

Restrictions Apply



SupaLite
ECO ROOF

A compact design with minimal soffit detail.

Our SupaLite ECO Roof has been specifically developed to fill a void in the market for a cost effective solution to a solid conservatory roof conversion where minimal overhang is key.

In some situations, the conservatory is positioned tight up to a neighbouring property or boundary that limits the amount of overhang available. Our standard SupaLite Roof is designed to incorporate a soffit detail, just like a conventional roof or extension. This may in some circumstances project over a boundary.

Our ECO Roof design does away with the soffit detail and follows the contours that are similar to what you would find on a polycarbonate conservatory roof.

Transforming conservatories into year round living spaces

SupaLite
TILED ROOF SYSTEM

ROOF COVERINGS



ExtraLight high performance textured steel tiles are available in 3 colours. With its exceptional durability, the ExtraLight stone-coated steel tile offers superior performance.

Charcoal

Ember

Walnut

extraLIGHT
LIGHTWEIGHT ROOF TILE SYSTEM

- ✓ **UNIQUE** - A new and unique high performance textured roof tile. The shingle textured-finish tile captures the subtle look and charm of low-profile traditional shingles.
- ✓ **PERFORMANCE** - ExtraLight eliminates the delaminating, lifting and general break-down caused by UV rays and high winds. Enjoy the superior performance of stone-coated steel.
- ✓ **CHOICE** - The ExtraLight Shingle comes in a choice of natural weathered tones to recreate the visual appeal of a clay tiled roof, carefully selected to match most traditional roofs.
- ✓ **APPROVED** - Our tiles are fully registered and compliant with the strict UK & European standards required for use with a roof pitch as low as 10 degrees.

The Traditional Slate Look

Roofing slate has for centuries been desired for its durability and aesthetic appeal, but it does have drawbacks with its weight, pitch restrictions and brittleness. The SupaLite Composite Slate Roof offers the look of traditional slate while remaining lightweight and hardwearing, boasting a 10-year guarantee. Manufactured by using recyclable materials virgin limestone and polypropylene, its performance has been approved and tested to BBA, BRE and CE standards down to a minimum pitch of 14 degrees.

With a wide choice of 5 colours, this lightweight slate is a common roof covering choice for the SupaLite roof system.



ACCESSORIES



EXTERNAL LIGHTING - The unique design of the SupaLite Roof incorporates an external fascia and deep soffit. Many customers choose external LEDs to be fitted into the soffit creating a feature that is both functional and aesthetically pleasing in the evenings. With long life and low running costs the external LEDs can be left on all night in areas where security is needed.

Engineering
SIMPLICITY & PERFORMANCE

Transforming conservatories into
all year round living spaces

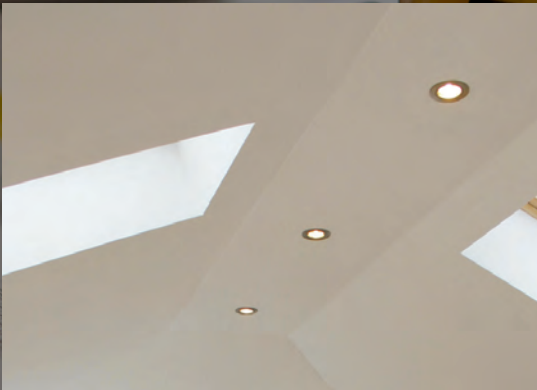


HAUNCHES & TIE BARS - All roofs have to cater for 'Dead Load' (i.e. the weight of the roof).

When the deflections exceed an acceptable level, it is necessary to brace the structure with an additional member, namely a tie bar or haunch.



COLOURED FASCIAS & SOFFITS - The soffit board is tucked away under the fascia board. It is usually the fascia and soffit that you see most of from street level. The SupaLite roof system incorporates these to match the existing property aesthetics, including most colour options. It also accommodates external soffit lights.



INTERNAL LIGHTING - LED ceiling lights are a sleek and stylish way to add energy efficient and up to date lighting to your home. LED bulbs have an impressive life span and use up to 90% less energy. These can be fitted in the ridge bulkhead or a pelmet closer to the eaves beam.



ROOF WINDOW - Roof lights and roof ventilation have been in popular use for the past 150 years.

Our high-quality materials, state of the art production techniques and excellent quality control ensure we provide durable, safe and functional roof windows. The internal colour options of our roof windows are white or pine.

SupaLite ORANGERIES

Modern
LIVING SPACE

STRUCTURAL lightweight roof system, engineered and designed to last a lifetime

INCREDIBLE U-Value with increased thermal performance, to help save money on your energy bills

CHOICE of glazed area with SkyElevate and SkyEdge options

ADD VALUE to your home by the feel of an extension for all year round living space

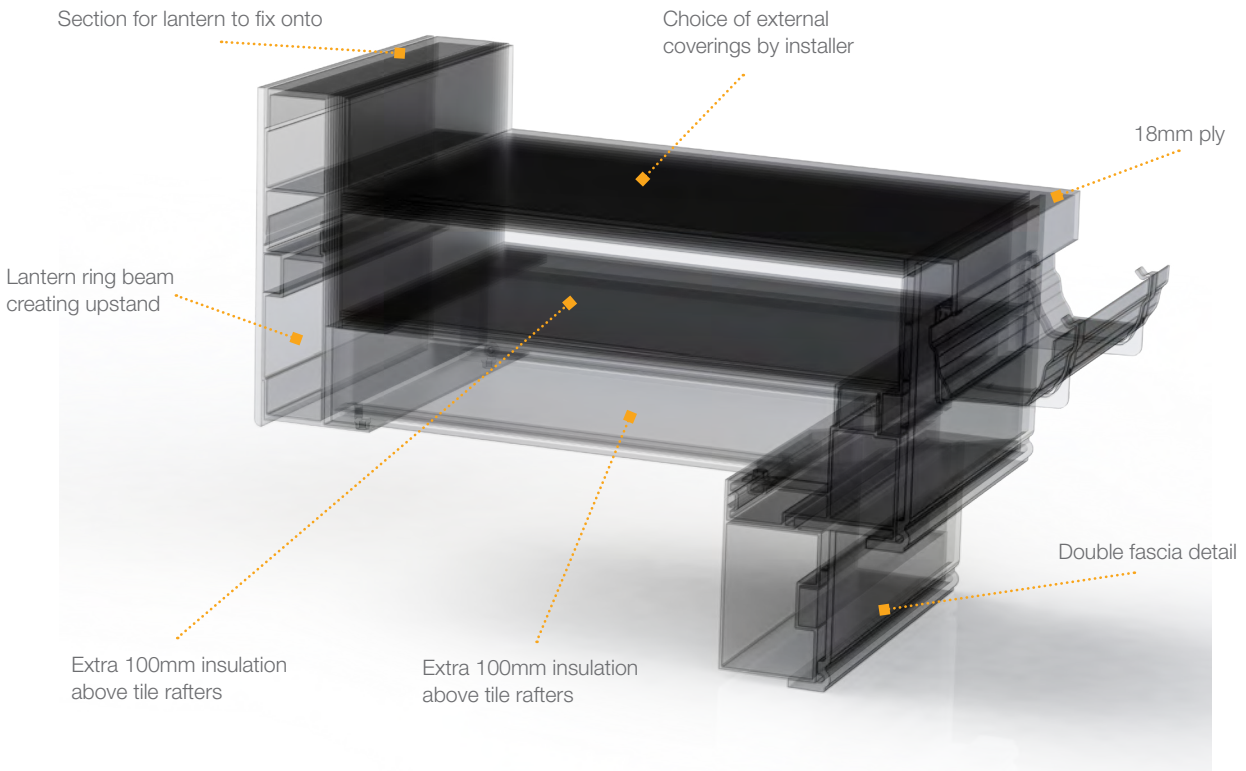
Transform Your Orangery

A thermally efficient flat roof orangery combining simplicity, performance and flexibility.

The SupaLite Flat Roof Orangery system is the most modern and efficient way to enjoy both the indoors and outdoors whilst remaining light and warm. Perfect for retro-fit or new build purposes, the orangery system comes with all the outstanding features to make it one of the most thermally efficient available in the UK.



It's designed and engineered so it is remarkably quick to install as all roofs are pre-fabricated in a state of the art production facility. Also, the clever design features allow either a lantern style glazing structure or a flat glass glazing structure (SkyEdge – page 25).



SupaLite ORANGERIES

Quality you deserve.

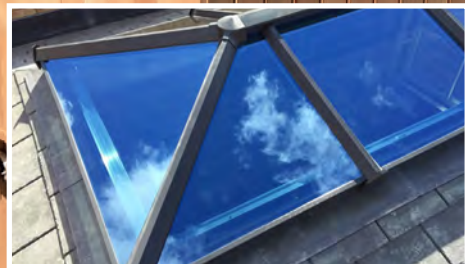
PERFORMANCE YOU
CAN COUNT ON

UNIQUE optional double fascia detail with choice of colours including guttering

COLOUR choice of fascias and guttering to either match or contrast your existing property

10 YEAR GUARANTEE The SupaLite Orangery systems are a tried and tested roof, with the system holding accreditations such as BBA, BRE and CORGI

APPROVED with Building Regulations



SkyElevate

By SupaLite

Beautifully designed, SkyElevate features slim sightlines and a sleek transition of roof bars allowing in more light for an unobstructed view.

With 36 different colour combinations and a choice of solar control, self-cleaning glass, the SkyElevate offers fantastic thermal efficiency as well as being strong and robust.

SkyElevate compliments the SupaLite Orangery systems. Designed and manufactured in Britain, SkyElevate is covered by a 10 year guarantee.



We have completely remodelled our old conservatory by adding brick columns, bi-folding doors and a SupaLite Orangery to create a modern dining room with an open air feel. It's great for entertaining and the combination of warmth and natural light suits us perfectly. The roof was installed in just one day too!

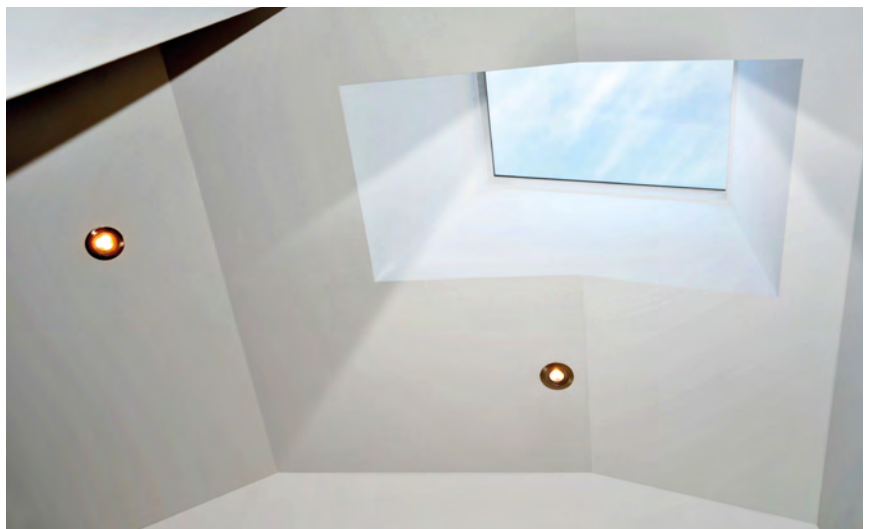
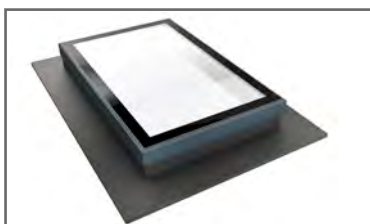
Mr & Mrs Stanworth

SkyEdge

By SupaLite

Bringing natural light into your home all year round, the high performance SkyEdge has been designed for a fixed, flat glass solution, which creates a contemporary look for any property.

The SkyEdge is available in a range of sizes and a choice of glazing solutions to compliment the anthracite grey lightweight aluminium frame. This product also features unique concealed fixings ensuring an elegant and unobtrusive look.



Superior Glazed **ALUMINUM VERANDAS**

Maximize

YOUR INDOOR TO
OUTDOOR SPACE

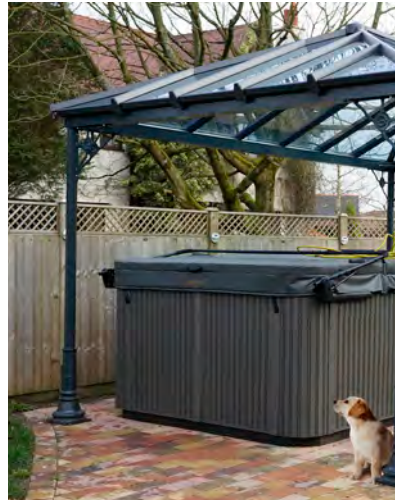
The SupaLite Veranda has been carefully designed to be flexible to suit almost any arrangement or permutation. The Veranda columns can be supplied in any RAL colour.



Combining both Traditional and Contemporary Features

The SupaLite Veranda system is a bespoke solution to maximise your valuable indoor to outdoor space and can be an elegant addition to your property. Each veranda is individually designed to perfectly suit your property and attached with ease to the side or rear of your home, allowing you to enjoy outdoor living and entertaining space.

It is also compatible with the SupaLite Tiled Roof Systems or even as a stand-alone structure.



Our freestanding veranda over our hot tub allows us to enjoy and relax whatever the weather. It was installed in just one day. We're delighted with it.

Mrs Richardson

Features

Adjustable angles from 5° through to 35° and cores strength allowing for projections up to 4000mm

- ✓ Choice of Column Styling
- ✓ Modular Design with Universal Fittings
- ✓ Lean-to or Stand Alone Variations
- ✓ Choice of Glazing Options

Did you know?

A SupaLite tiled conservatory roof is the ideal solution to common conservatory problems.

The SupaLite Tiled Roof System has been specifically tailored to meet building control standards.

We are a UK market leader utilising a network of very strictly approved retail outlets. Why 'very' strictly approved' retailers rather than just 'approved': the term many businesses use? This is because roof conversions come under building regulations, so it's imperative that sellers fully understand the process and can ensure all installations comply with the legal requirements. Our retailers are trained to do this.

Questions to ask?

- Building regulation certificate issued (if applied for)
- Compliant to JHA1 specification
- SupaLite 10 year product guarantee
- Structurally proven even under heavy snowfall
- Roof structure designed to take plasterboard, tiles & vents
- Thermally efficient cool in summer, warm in winter
- Free from mould and condensation
- Free from solicitor issues if the house is sold
- A worry free all year round living space for the homeowner

SupaLite
TILED ROOF SYSTEM

Non-Compliant
Roofs

✓	✗
✓	✗
✓	✗
✓	✗
✓	✗
✓	✗
✓	✗
✓	✗
✓	✗

**CLIENT
PEACE OF
MIND**

Did you know?

If the council are made aware of a clad-over roof being installed at a property, they could enforce you to remove it.



BEWARE of Clad-overs!

WHAT IS A CLAD-OVER?

Some companies simply clad-over the existing conservatory roof internally, externally or both. Either way, they plan to use the existing structure that was only ever designed for its original purpose. These will be more competitively priced but may not meet Building Regulation Approval. Don't be frightened of asking the builder/installer about the following:

U-VALUE

Does the new structure achieve the correct U-Value for insulation properties?

CONDENSATION

Are there thermal barriers and enough air ventilation in place? Ask to see a small product sample if needed for proof of this.

STRUCTURAL INTEGRITY / CALCULATIONS

Can the new roof structure withstand wind and snow loadings? If in doubt request structural calculations for the roof. If this is a tried and tested system, these will be available.

WEIGHT

Clad-over companies simply remove your polycarbonate or glass and clad-over a structure desired to carry a lot less weight, tiled roofs need to be stronger to prevent plaster cracking.

WARRANTY

What guarantee will you get and will your home insurance pay-out if there's a problem?


Make the right decision by choosing a SupaLite roof and not a 'clad-over' when replacing your existing conservatory roof.

Having peace of mind and knowing that you can get payback on your investment is vital and installing a SupaLite roof will give you just that. Combining this with Building Regulations approval means that, if you come to sell your property the structure will be a fully compliant living space.


“ We got three separate quotations when considering replacing our conservatory roof. One of them was several £1000s cheaper which we considered initially. It was only when I asked for some evidence of the proposed roof performance structurally and insulation figures we quickly changed our mind! I'm so glad we did as our new SupaLite roof came with Building Regulations and we know that we'll get back the money we spent on the work, if we come to sell our house. ”

Mr & Mrs Hewit


What is the weight, per square meter, for a SupaLite tiled roof?

-  The weight of the tiled roof is 46kg per m², however, this may vary by roof style.


Do I get a guarantee with the SupaLite roof? If so, how long does this last and what is covered in the guarantee?

-  We provide a 10-year product guarantee on our SupaLite roofs. This is from SupaLite to the installer who will then pass this on to you.


Typically, how long does it take to install the SupaLite conservatory roof?

-  Typically, it would take 3 - 4 days to install a SupaLite conservatory roof for a standard sized 4m x 4m Edwardian style conservatory.


Do I need to get planning permission to install a SupaLite conservatory roof?

-  Planning permission is generally not required to install a SupaLite conservatory roof, if you are only replacing the roof on your existing conservatory. However, if your existing conservatory needed permission you may need permission to change the roof.

Will having a SupaLite conservatory roof increase the value of my home? If so, by how much?

-  A SupaLite conservatory roof will certainly increase the value of your home.

Will it make the room darker if I have a SupaLite conservatory roof installed?

-  There is a possibility that your room may be darker once you replace your existing roof with a SupaLite conservatory roof, there are ways of making your new room lighter. This includes painting the ceiling in white, internal spot lights, Roof Windows and SkyVista glass panels.

Installers Nationwide

Find out more about replacing your glass conservatory roof with a SupaLite Tiled Roof System by visiting our website www.supaliteroof.co.uk.

Insist on the best,
insist on **SupaLite**



SupaLite Accreditations



CORGI Fenestration

CORGI Certification

SupaLite are the first tiled roof company to be assessed and issued with membership of the respected CORGI Fenestration scheme for supply chain quality and continuity.



BRE Certification

The SupaLite roof was tested using Wufi software to ensure the roof is free from risk of condensation. BRE have also carried out water/weather testing with a pass to EN15026.



JHAI Systems Approval

SupaLite are partnered with JHAI for building control to ensure installations are compliant with regulations. Homeowner certificates* are issued from JHAI along with SupaLite guarantees.

ENGINEERING SIMPLICITY & PERFORMANCE



Join the revolution
INSIST ON A SUPALITE ROOF



www.supaliteroof.co.uk